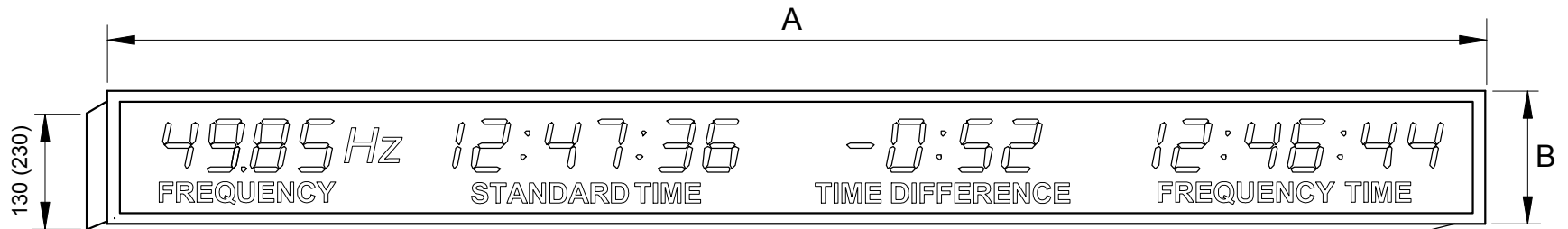


JOB NO.:	DWG NO.:	TITLE:
DATE:	SCALE:	6010.057.X.FP / 601.100.X.FP
DWN.:	SIZE:	Frequency Control Clock
NM	A4	CLIENT:



Type Number	LED Colour	Figure Height mm	Legibility m	A mm	B mm	Depth mm
6010.057.R.FP	red	57	25	1462	142	58
6010.057.G.FP	green	57	25	1462	142	58
6010.100.R.FP	red	100	50	2612	242	58
6010.100.G.FP	green	100	50	2612	242	58

Features

Red or green LED
 57 or 100mm Figures, legibility: 25 and 50m respectively
 Frequency Time accuracy: +/- 0.001 +/- 1 digit 20-80 Hz
 Reference time obtained from external master clock, GPS or quartz crystal time accuracy with TCXO: 99.9999% @ 0 - 50 deg.
 100 - 250VAC 50/60 Hz operation as standard
 Optional 24VDC power supply
 Aluminium Extruded Case, matt black anodised

Electromagnetic Compatibility & Safety

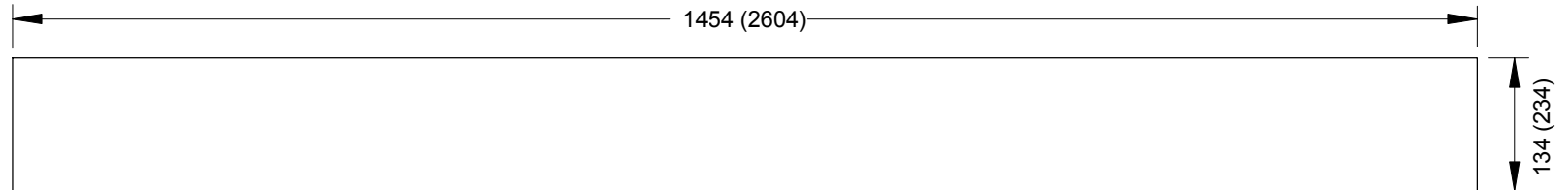
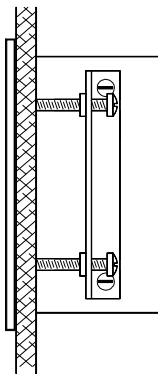
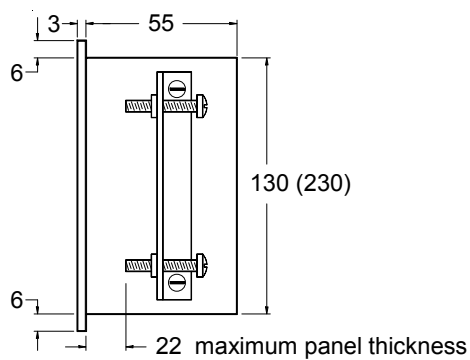
600 series frequency control clocks comply with the european Community Electromagnetic Compatibility Directive 89/336/EEC and Low Voltage Directive 73/23/EEC and conform with following Standards:

- EN 50081-1** 55022 class B
- EN 50082-1** IEC 801-2 level 3
IEC 801-3 level 3
IEC 801-4 level 3

EN 60950

.FP - Flush Panel Mounted Case

- Other case styles:
- Flush mounting with box into solid wall,
 - Surface mounting
 - ceiling suspended (single- and double-sided)



Cut-Out Dimensions

Hertz Electronics
 WHERE TIME MATTERS

P.O. Box 115 - 18 Rose Street ANNANDALE NSW 2038
 Ph: +61 2 8205 0575 Fax: +61 2 9571 9754
 Email: sales@hertzelectronics.com.au
 Web: www.hertzelectronics.com.au

A.B.N. 69 086 651 014