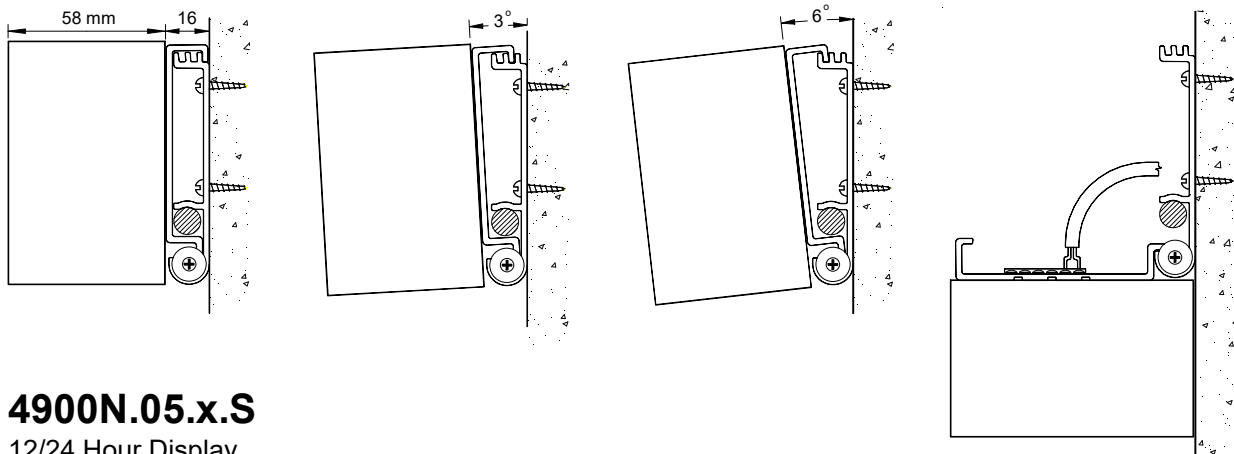


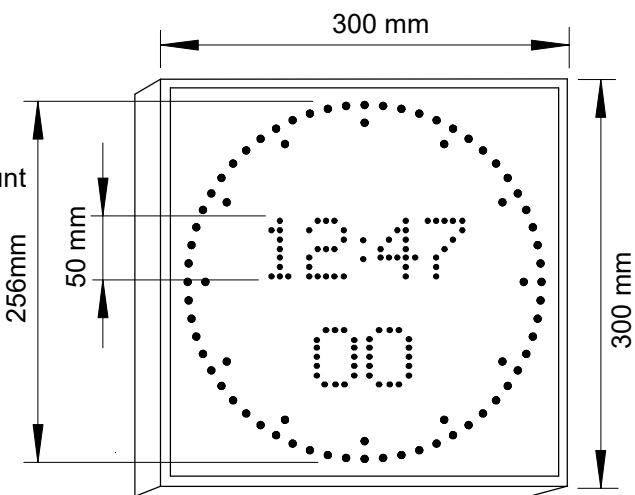
.S. Surface Mounted Case



4900N.05.x.S

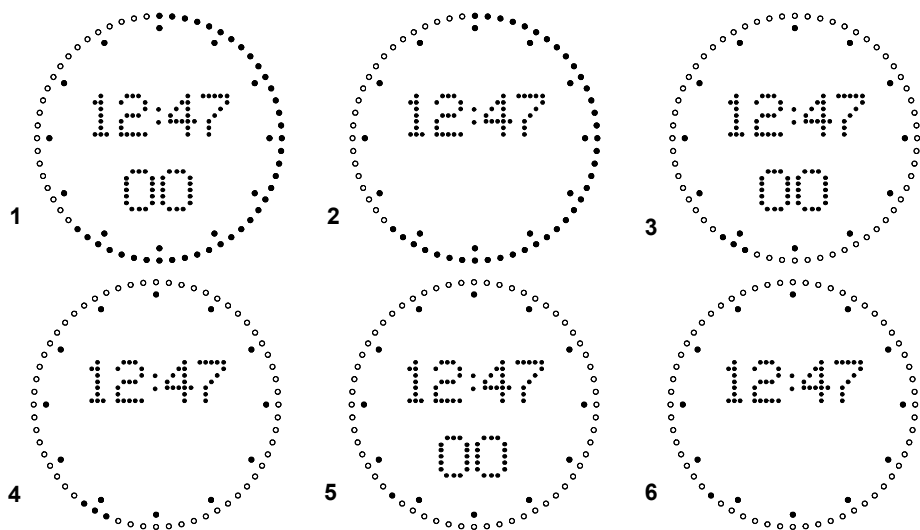
12/24 Hour Display
 Red, green, yellow or blue LED
 50mm Figures: Viewing Distance: 25m
 Equipped with 10/100Base-T network port
 for synchronisation to NTP/SNTP server

Choice of 240VAC 50Hz or PoE power supply
 Choice of case styles: surface mount, panel mount
 Small version with 20mm digits also available
 (unit measures 144 x 144mm)




4900N.05.x.S

Model	LED Colour	Case Size L x H x D	Fixing Centres
4900N.05.R.S	Red	300 x 300 x 58	190
4900N.05.G.S	Green		
4900N.05.Y.S	Yellow		
4900N.05.B.S	Blue		



Display Options

JOB NO.:		TITLE	<p align="center">4900E.05.x.S Digital LED Clock in surface mounting aluminium case</p>	 <p align="right">A.B.N. 69 086 651 014 P.O. Box 115 - 18 Rose Street ANNANDALE NSW 2038 Ph: +61 2 8205 0575 Fax: +61 2 9571 9754 Email: sales@hertzelectronics.com.au Web: www.hertzelectronics.com.au</p>
DATE:		CUSTOMER:		
DWN:				