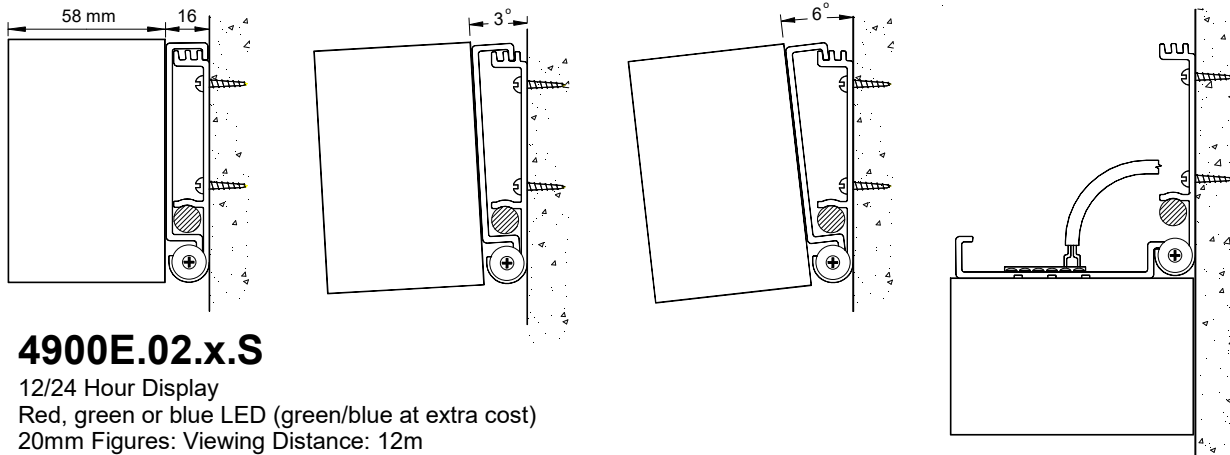


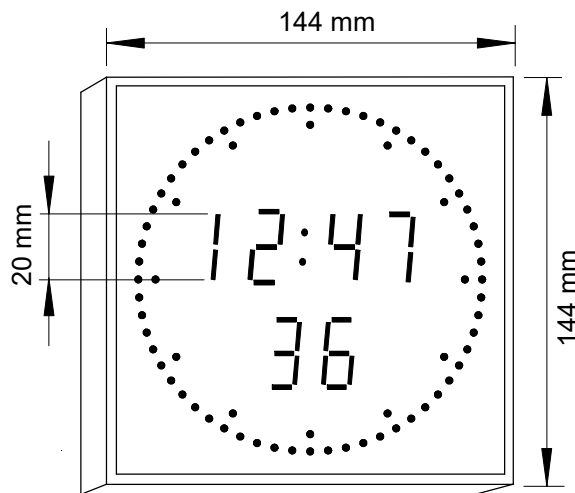
.S. Surface Mounted Case



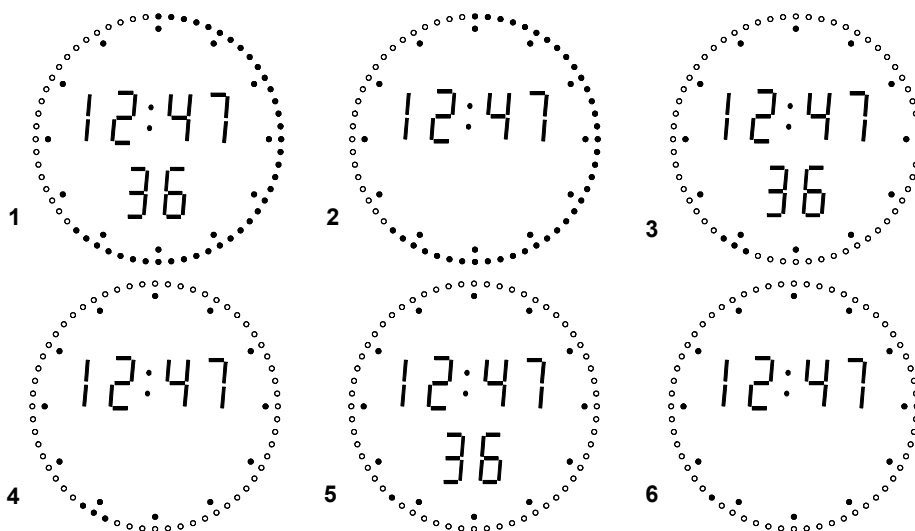
4900E.02.x.S

- 12/24 Hour Display
- Red, green or blue LED (green/blue at extra cost)
- 20mm Figures: Viewing Distance: 12m
- Automatic Daylight Saving Changes
- Automatic Dimming
- User programmable display options
- Start/Stop Watch Function with optional controller
- Built in Quartz Crystal
- 'Stand alone' or 'slave' operation
- Accuracy of 0.1 sec/day at 21deg. C
- 240VAC 50 Hz mains supply with back-up
- Optional 24 or 48VDC power supply
- Optional Network version (with optional PoE power supply)


Model	Case Size L x H x D	Case Size L x H x D
4900E.02.R.S	Red	144 x 144 x 58
4900E.02.G.S	Green	
4900E.02.B.S	Blue	



4900E.02.x.S



Display Options

JOB NO.:		TITLE	<p align="center">4900E.02.x.S Digital LED Clock Surface Mounting Aluminium Case</p>	 <p align="right">A.B.N. 69 086 651 014</p> <p align="center">P.O. Box 115 - 18 Rose Street ANNANDALE NSW 2038 Ph: +61 2 8205 0575 Fax: +61 2 9571 9754</p> <p align="right">Email: sales@hertzelectronics.com.au Web: www.hertzelectronics.com.au</p>
DATE:		CUSTOMER:		
DWN:				