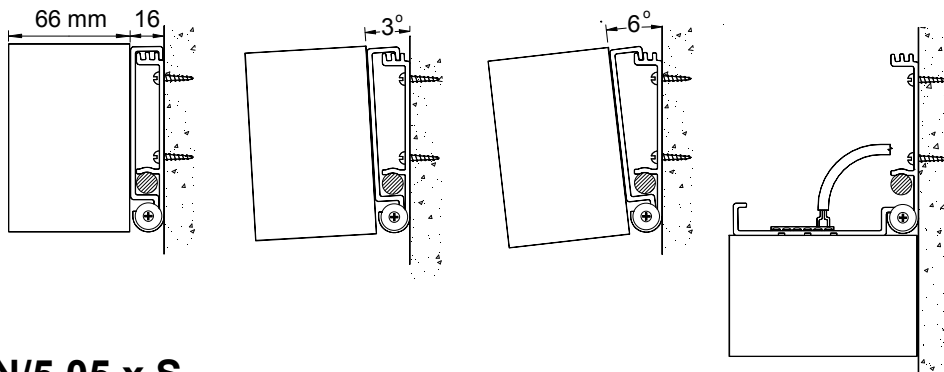


**.S. Surface Mounted Case**



**4740N/5.05.x.S**

Commercial Long Life Design  
 24h Display with red, yellow, green or blue bright LEDs  
 50mm Figures: max. viewing distance: 25m  
 Synchronised time displays  
 Automatic Daylight saving changes for each zone  
 Stand-alone or networking  
 Built-in Quartz Crystal with accuracy of 0.1 sec/day  
 240VAC 50 Hz mains supply with battery back-up for 52 hours (display turns off)

Order Number	LED Colour	Case Size L x H x D
4740N/5.05.R.S	Red	1504 x 180 x 66
4740N/5.05.G.S	Green	
4740N/5.05.Y.S	Yellow	
4740N/5.05.B.S	Blue	


**Synchronisation**

The 4010N can be synchronised from following external signals:

- w482 Time Code
- DCF Time Code
- GPS Time Code
- 48x0 Special 'Local Link' UTC synchronisation from w482 time code zone 0. Used for multiple clock installations connected via 'Local Link'.

**Network**

Network Synchronisation  
 Fitted with a 10/100Base-T Ethernet port allowing synchronisation from a remote NTP/SNTP time server on a TCP/IP network

JOB NO.:		TITLE <b>4740N/5.05.x.S commercial, long life Time Zone Display</b>	 <small>A.B.N. 69 086 651 014</small> P.O. Box 115 - 18 Rose Street ANNANDALE NSW 2038 Ph: +61 2 8205 0575 Fax: +61 2 9571 9754 Email: sales@hertzelectronics.com.au Web: www.hertzelectronics.com.au
DATE:			
DWN:	NM	CUSTOMER:	