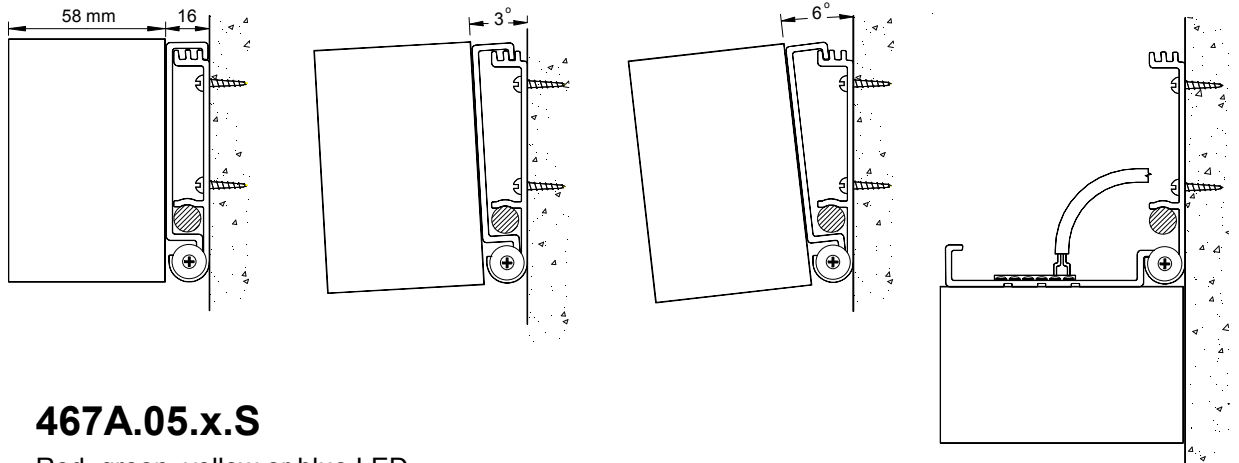


**467A.05.x.S**



240VAC  
50Hz

**.S. Surface Mounted Case**



**467A.05.x.S**

Red, green, yellow or blue LED  
 50mm Figures: Viewing Distance: 25m  
 Automatic Daylight Saving Changes  
 Automatic Dimming  
 Calendar in 20x languages  
 Up to 3 languages alternating  
 Stand-alone or networking  
 Built in Quartz Crystal with accuracy of 0.1 sec/day  
 240VAC 50 Hz power supply with battery back-up  
 Optional 24VDC power supply  
 Case: aluminium extruded, black anodised, other finishes on request

**Synchronisation**

In slave clock mode the 454A can be synchronised using following signals:

- One second, half minute or one minute uni-polar or polereversing 6-24V impulses
- 482 Time Code
- DCF Time Code
- GPS Time Code

Model	LED Colour	Case Size L x H x D
467A.05.R.S	red	460 x 90 x 58
467A.05.G.S	green	
467A.05.Y.S	yellow	
467A.05.B.S	blue	

JOB NO.:	DWG NO.:	TITLE:	<b>467A.05.x.S</b> <b>Calendar Display</b> <b>Specifications</b>		
DATE:	SCALE:				
DWN: <b>NM</b>	SIZE: <b>A4</b>	CLIENT:			

HERTZ ELECTRONICS  
A. B. N. 69 086 651 014

P.O. Box 115 - 18 Rose Street ANNANDALE NSW 2038  
 Tel: +61 2 8205 0575 Fax: +61 2 9571 9754  
 Email: [sale@hertzelectronics.com.au](mailto:sale@hertzelectronics.com.au)  
 Web: [www.hertzelectronics.com.au](http://www.hertzelectronics.com.au)