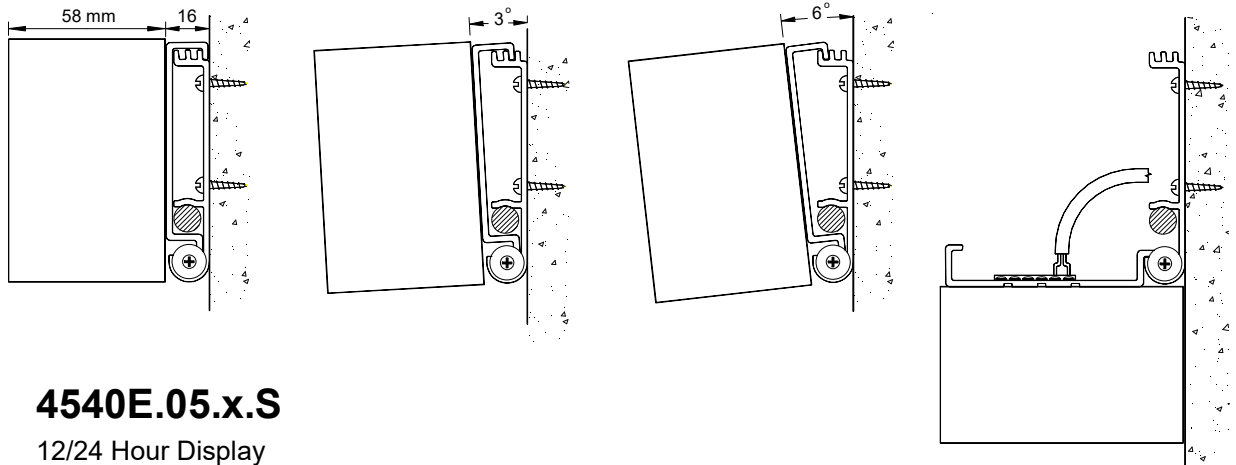


Supplied with 2m power cable terminated with Australian plug. Cable exits from rear of clock. Power supply is internal.
100-240VAC 50/60Hz

4540E.05.x.S

.S. Surface Mounted Case



4540E.05.x.S

12/24 Hour Display
Red, green, yellow or blue LED
50mm Figures: Viewing Distance: 25m
Automatic Daylight Saving Changes
Automatic Dimming
Calendar in 21x languages
Up to 3 languages alternating
Stand-alone or networking
Built in Quartz Crystal with accuracy of 0.1 sec/day
230VAC 50 Hz mains supply with battery back-up
Optional 24VDC power supply
Case: aluminium extruded, black anodised, other finishes on request

Synchronisation

The 454E can be synchronised from following external signals:


- One second, half minute or one minute uni-polar or polereversing 6-24V impulses
- w482 Time Code
- DCF Time Code
- GPS Time Code

N - Option

Network Synchronisation
Fitted with a 10/100Base-T Ethernet port allowing synchronisation from a remote NTP/SNTP time server on a TCP/IP network

Network version has a choice of 230VAC or PoE power supply (same price)

Model	LED Colour	Case Size L x H x D	Fixing Centres
4540E.05.R.S	red	300 x 300 x 58	190
4540E.05.G.S	green		
4540E.05.Y.S	yellow		
4540E.05.B.S	blue		

JOB NO.:	DWG NO.:	TITLE:	 <p>A.B.N. 69 086 651 014 P.O. Box 115 - 18 Rose Street ANNANDALE NSW 2038 Ph: +61 2 8205 0575 Fax: +61 2 9571 9754 Email: sales@hertzelectronics.com.au Web: www.hertzelectronics.com.au</p>
DATE:	SCALE:	<p>4540E.05.x.S Calendar Clock Dimensions</p>	
DWN: NM	SIZE: A4	CLIENT:	