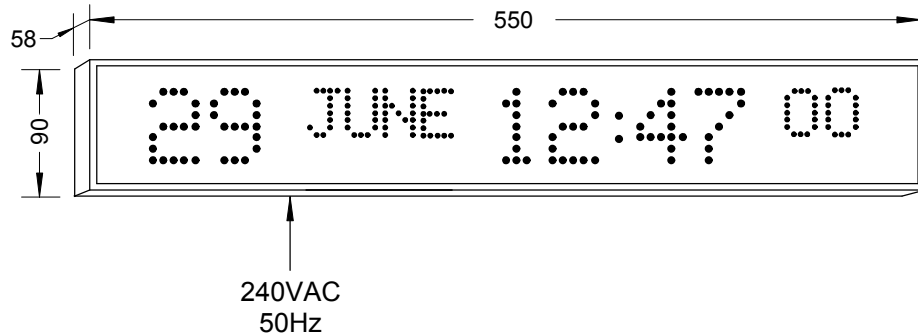
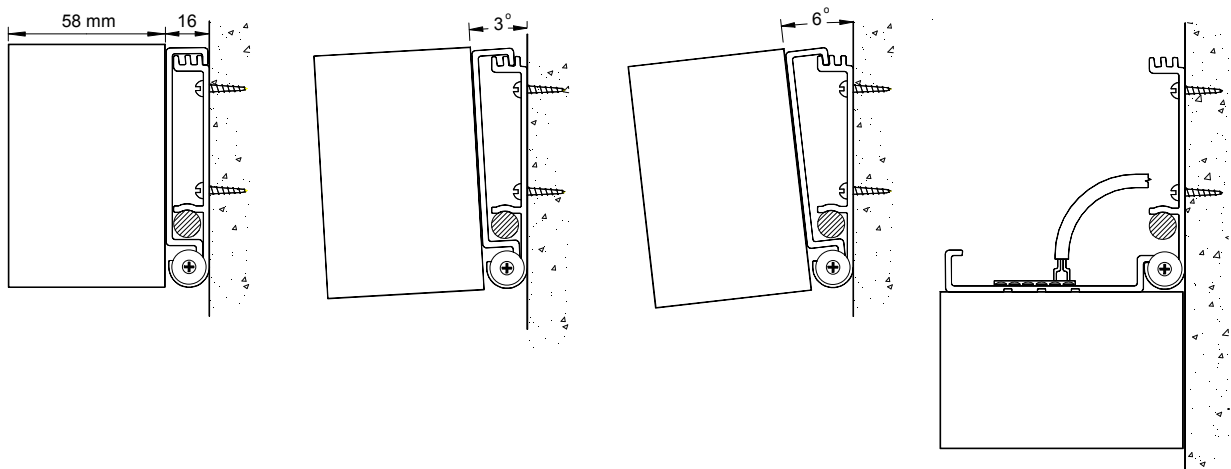


Multifunction LED Calendar Clock



.S. Surface Mounted Case



451A.05.x.S

12/24 Hour Display
 Red, green, yellow or blue LED
 50+30mm Figures: Viewing Distance: 20m
 Automatic Daylight Saving Changes
 Automatic Dimming
 Calendar in 15x Languages
 Up to 3 Languages alternating
 Stand-alone or networking
 Built in Quartz Crystal with accuracy of 0.1 sec/day
 240VAC 50 Hz mains supply with battery back-up
 Optional 24VDC power supply

Model	LED Colour	Case Size L x H x D	Fixing Centres
451A.05.R.S	red	550 x 90 x 58	440
451A.05.G.S	green		
451A.05.Y.S	yellow		
451A.05.B.S	blue		

Optional Modules

404.E EBU/SMPTE synchronisation
 404.I IRIG-B synchronisation
 404.M Master Module for 10x clocks

Synchronisation

The 401A can be synchronised from following external signals:

- One second, half minute or one minute uni-polar or polereversing 6-24V impulses
- w482 Time Code
- DCF Time Code
- GPS Time Code

N - Option

Network Synchronisation
 Fitted with a 10/100Base-T Ethernet port allowing synchronisation from a remote NTP/SNTP time server on a TCP/IP network

JOB NO.:	DWG NO.:	TITLE: 451A.05.x.S Calendar Clock Dimensions	
DATE:	SCALE:	CLIENT:	
DWN: NM	SIZE: A4	COPYRIGHT: The drawing remains the property of Hertz Electronics and may not be used, copied, or reproduced, in whole or part in any form without written permission.	P.O. Box 115 - 18 Rose Street ANNANDALE NSW 2038 Tel: +61 2 8205 0575 Fax: +61 2 9571 9754 Email: sale@hertzelectronics.com.au Web: www.hertzelectronics.com.au