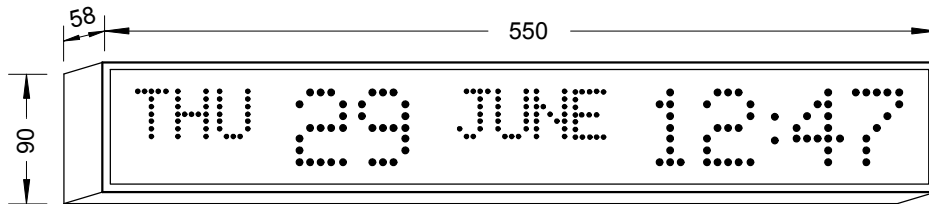



# Multifunction LED Calendar Clock

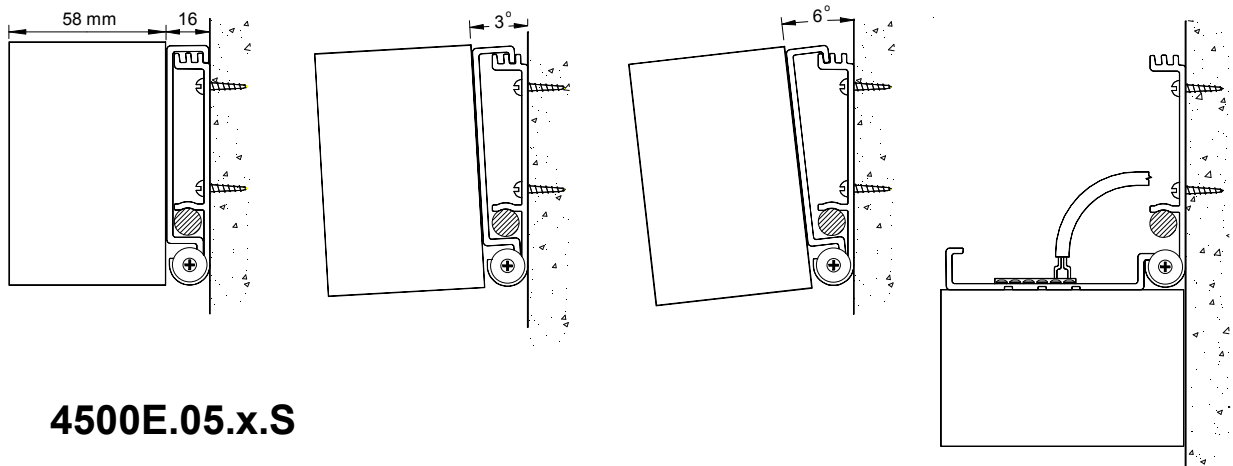


240VAC  
50Hz



Clipsal clock point  
408/3  
(optional - not supplied)

## .S. Surface Mounted Case



### 4500E.05.x.S

- 12/24 Hour Display
- Red, green or yellow LED
- 50mm Figures: Viewing Distance: 25m
- Automatic Daylight Saving Changes
- Automatic Dimming
- Calendar in 21 languages, up to 3x alternating
- Includes Infra-Red Remote Control
- Stand-alone or networking
- Built in Quartz Crystal with accuracy of 0.1 sec/day
- 240VAC 50 Hz mains supply with battery back-up
- Optional 24 or VDC power supply
- Optional PoE (Power over Ethernet) power supply

### Optional Modules


- PoE (Power over Ethernet) Midspan and Endspan
- NTP/SNTP Synchronisation via optional 10/100Base-T Ethernet port
- Alternate and single polarity 12-48v DC impulses
- 4040.E - EBU/SMPTE (LTC) interface
- 1 KHz AM coded IRIG-B/afnor NFS 87 500 time codes
- RS232 coded signal in one of six formats
- RS485 coded signal in one of six formats.

Model	LED Colour	Case Size L x H x D	Fixing Centres
4500E.05.R.S	red	550 x 90 x 58	440
4500E.05.G.S	green		
4500E.05.Y.S	yellow		
4500E.05.B.S	blue		

### Synchronisation

The 4520E can be synchronised from following external signals:

- GPS Time Code
- GLONASS Time Code
- w482 Time Code
- DCF Time Code
- Additional synch modes using above Optional Modules

JOB NO.:	DWG NO.:	TITLE: <b>4500E.05.x.S Calendar Clock Dimensions</b>	 <p>A.B.N. 69 086 651 014 P.O. Box 115 - 18 Rose Street ANNANDALE NSW 2038 Ph: +61 2 8205 0575 Fax: +61 2 9571 9754 Email: sales@hertzelectronics.com.au Web: www.hertzelectronics.com.au</p>
DATE:	SCALE:	CLIENT:	
DWN: <b>NM</b>	SIZE: <b>A4</b>	COPYRIGHT: The drawing remains the property of Hertz Electronics and may not be used, copied, or reproduced, in whole or part in any form without written permission.	