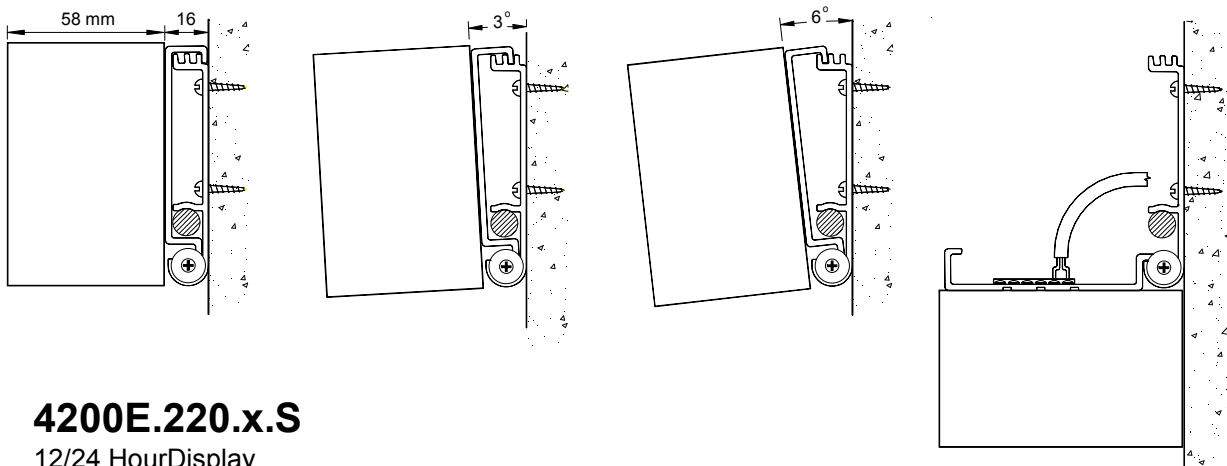


4200E.220.x.S External Dimensions

.S. Surface Mounted Case



4200E.220.x.S

- 12/24 Hour Display
- Red, green or ultra red or ultra yellow LED
- 220mm Figures: Viewing Distance: 100-120m
- Automatic Daylight Saving Changes
- Automatic Dimming
- Alternating Time & Date Capability
- Start/Stop Watch Function (via infra-red remote controller)
- Temperature display (with optional temperature probe)
- Stand-alone or networking
- Built in Quartz Crystal with accuracy of 0.1 sec/day
- 240VAC 50 Hz mains supply with battery back-up
- Optional 24VDC power supply:
- Continuous Load: approx. 2A at maximum brightness and displaying 0, 6 and 8 characters
- Max. Inrush Current: approx. 12A for very short periods

Optional Modules

- Optional low-cost internal wBus2 interface cards:
- EBU/SMPTE synchronisation
 - IRIG-B/Afnof NF S 87-500 synchronisation
 - RS232, RS485
 - 24V/48V Single/Alternate polarity impulse

Synchronisation

- w482 Time Code
- DCF Time Code
- GPS Time Code

Network Option

- Network Synchronisation
- Fitted with a 10/100Base-T Ethernet port allowing synchronisation from a remote NTP/SNTP time server on a TCP/IP network

(Order Number 4200N.220.x.S)

Model	LED colour	Case Size L x H x D	Fixing Centres
4200E.220.R.S 4200E.220.G.S 4200E.220.UR.S 4200E.220.UY.S	Red Green Ultra Red Ultra Yellow	810 x 320 x 66	750

JOB NO.:		TITLE	<p>A.B.N. 69 086 651 014 P.O. Box 115 - 18 Rose Street ANNANDALE NSW 2038 Ph: +61 2 8205 0575 Fax: +61 2 9571 9754 Email: sales@hertzelectronics.com.au Web: www.hertzelectronics.com.au</p>
DATE:		<p>4200E.220.x.S Digital LED Clock in surface mounting indoor case</p>	
DWN:		CUSTOMER:	