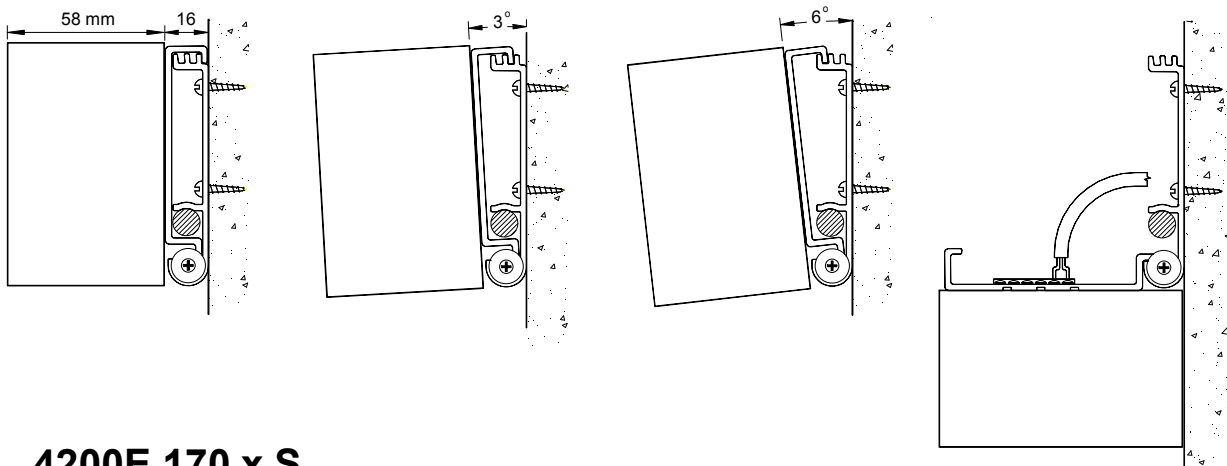


4200E.170.x.S External Dimensions

.S. Surface Mounted Case



4200E.170.x.S

for dry indoor areas

- 12/24 Hour Display
- Red, green or ultra red or yellow LED
- 170mm Figures: Viewing Distance: 85m
- Automatic Daylight Saving Changes
- Automatic Dimming
- Alternating Time & Date Capability
- Stopwatch/Count-down timer using infra-red remote control
- Temperature display (with optional temperature probe)
- Stand-alone or networking
- Built in Quartz Crystal with accuracy of 0.1 sec/day
- 240VAC 50 Hz mains supply with battery back-up
- Optional 24VDC power supply

Optional Modules

- Optional low-cost internal wBus2 interface cards:
- EBU/SMPTE synchronisation
 - IRIG-B/Afnot NF S 87-500 synchronisation
 - RS232, RS485
 - 24V/48V Single/Alternate polarity impulse

Synchronisation

- w482 Time Code
- DCF Time Code
- GPS Time Code

Network Option

- Network Synchronisation
- Fitted with a 10/100Base-T Ethernet port allowing synchronisation from a remote NTP/SNTP time server on a TCP/IP network
 - Optional PoE power supply

(Order Number 4200N.170.x.S)

Model	LED colour	Case Size L x H x D	Fixing Centres
4200E.170.R.S	Red	730 x 260 x 66	750
4200E.170.G.S	Green		
4200E.170.UR.S	Ultra Red		
4200E.170.UY.S	Ultra Yellow		

JOB NO.:		TITLE	<p>A.B.N. 69 086 651 014 P.O. Box 115 - 18 Rose Street ANNANDALE NSW 2038 Ph: +61 2 8205 0575 Fax: +61 2 9571 9754 Email: sales@hertzelectronics.com.au Web: www.hertzelectronics.com.au</p>
DATE:		<p>4200E.170.x.S Digital LED Clock in surface mounting case for dry indoor areas</p>	
DWN:		CUSTOMER:	