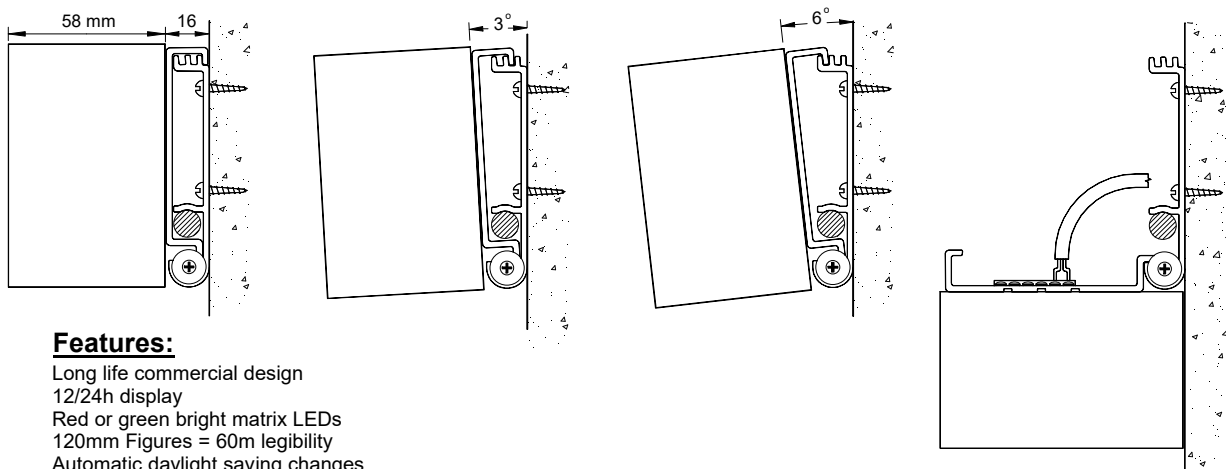


4200E.12.x.S External Dimensions

.S. Surface Mounted Case



Features:

- Long life commercial design
- 12/24h display
- Red or green bright matrix LEDs
- 120mm Figures = 60m legibility
- Automatic daylight saving changes
- Automatic or manual dimming in 7 steps
- Battery back-up
- Alternating time & date capability (user programmable)
- Temperature display (requires optional 406 temperature probe)
- Count-up/Count-down Stopwatch function
(with included infra-red remote control)
- Stand alone or synchronised from master controller
- Network option for synchronisation from network
- Local synchronisation of up to 10 other 4200E/4010E clocks using a simple cable pair
- Built in Quartz Crystal with accuracy of 0.1 sec/day at 21deg. C
- 240VAC 50 Hz mains supply with battery back-up standard
- Optional 24/48VDC power supply at extra cost

Installation:

2x wall brackets are supplied for wall fixing.
The clock is equipped with a 2m long lead with standard plug.
It is recommended to use a Clipsal clock point 408/3 and mating plug 409/3 if possible. The clock point can be recessed into the wall centred behind the clock to hide the cable.

Model	LED colour	Case Size L x H x D
4200E.12.R.S	Red	480 x 180 x 58
4200E.12.G.S	Green	480 x 180 x 58

Optional Modules

- Optional low-cost internal wBus2 interface cards:
- EBU/SMPTE synchronisation
 - IRIG-B/Afnot NF S 87-500 synchronisation
 - RS232, RS485
 - 24V/48V Single/Alternate polarity impulse

Synchronisation

The 4200E can be synchronised from the following external signals:

- w482 Time Code
- DCF Time Code
- GPS Time Code

Network Option

- Network Synchronisation
- Optional 10/100Base-T Ethernet port allowing synchronisation from a remote NTP/SNTP time server on a TCP/IP network
 - Optional PoE power supply

(Order Number 4200N.12.x.S)

JOB NO.:	DWG NO.:	TITLE: 4200E.12.x.S Digital LED Clock Surface Mounting	 A.B.N. 69 086 651 014 P.O. Box 115 - 18 Rose Street ANNANDALE NSW 2038 Ph: +61 2 8205 0575 Fax: +61 2 9571 9754 Email: sales@hertzelectronics.com.au Web: www.hertzelectronics.com.au
DATE:	SCALE:	CLIENT:	
DWN: NM	SIZE: A4	COPYRIGHT: The drawing remains the property of Hertz Electronics and may not be used, copied, or reproduced, in whole or part in any form without written permission.	