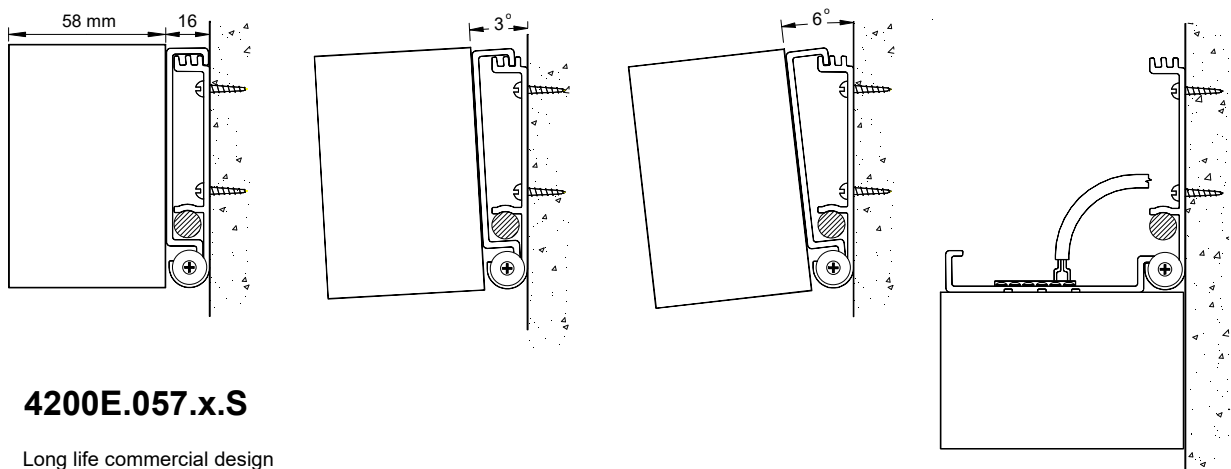




4200E.057.x.S External Dimensions

.S. Surface Mounted Case



4200E.057.x.S

- Long life commercial design
- 12/24h display
- Red, green, yellow or blue bright LEDs
- 57mm Figures = 25m legibility
- Automatic daylight saving changes
- Automatic or manual dimming in 7 steps
- Battery back-up
- Alternating time & date capability (user programmable)
- Temperature display (requires optional 406 temperature probe)
- Count-up/Count-down Stopwatch function (with included infra-red remote control)
- Stand alone or synchronised from master controller
- Network option for synchronisation from network
- Local synchronisation of up to 5 other 4200E/4010E clocks using a simple cable pair
- Built in Quartz Crystal with accuracy of 0.1 sec/day at 21deg. C
- 240VAC 50 Hz mains supply with battery back-up standard
- Optional 24/48VDC power supply at extra cost

Power Supply

- Standard: 110-240VAC 50/60 Hz;
- Optional: PoE (network model), 24 or 48VDC
- Battery back-up to retain time/settings

Synchronisation

The 4200E can be synchronised from following external signals:


- w482 Time Code
- DCF Time Code
- GPS Time Code

Network Option

4200N.057.x S

Fitted with a 10/100Base-T Ethernet port allowing synchronisation from a remote NTP/SNTP time server on a TCP/IP network
240V AC or PoE power supply

Model	LED colour	Case Size L x H x D
4200E.057.R.S	Red	305 x 90 x 58
4200E.057.G.S	Green	
4200E.057.Y.S	Yellow	
4200E.057.B.S	Blue	

JOB NO.:	DWG NO.:	TITLE: 4200E.057.x.S 7-Segment Digital LED Clock Maintenance-free, long life aluminium surface mounting case	 <p>A.B.N. 69 086 651 014 P.O. Box 115 - 18 Rose Street ANNANDALE NSW 2038 Ph: +61 2 8205 0575 Fax: +61 2 9571 9754 Email: sales@hertzelectronics.com.au Web: www.hertzelectronics.com.au</p>
DATE:	SCALE:	CLIENT:	
DWN: NM	SIZE: A4	COPYRIGHT: The drawing remains the property of Hertz Electronics and may not be used, copied, or reproduced, in whole or part in any form without written permission.	