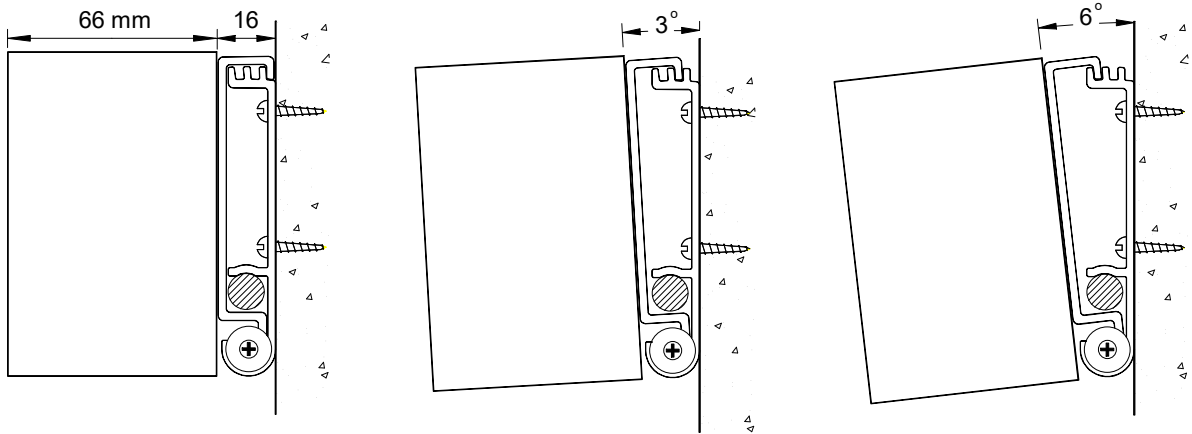
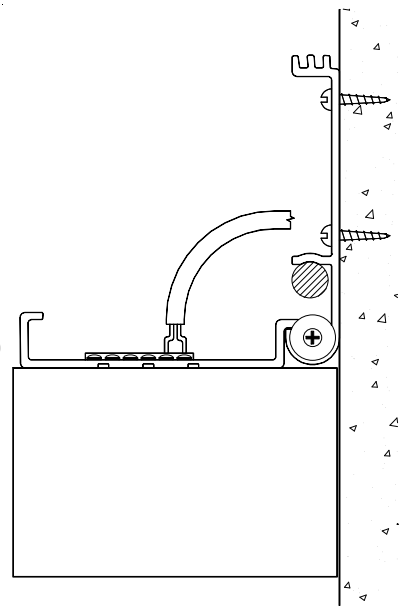


.S. Surface Mounted Case

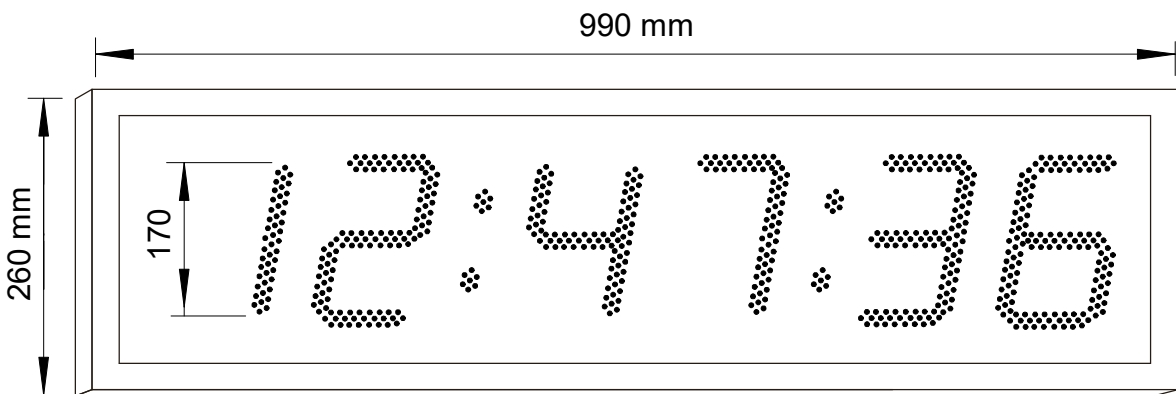


4010N.170.x.S


- 12/24 Hour Display
- Red or green LED
- HH:MM:SS, seven segment format
- 170mm Figures: Viewing Distance: 80m
- Automatic Daylight Saving Changes
- Automatic or manual Dimming in 7-steps
- Battery Back-up
- Alternating Time & Date Capability
- Temperature Display (requires optional temperature probe)
- Start/Stop Watch Function (with included infra-red remote control)
- Built in Quartz Crystal with accuracy of 0.1 sec/day at 21deg. C
- 240VAC 50 Hz mains supply standard
- Optional 24 or 48VDC power supply
- Includes 10/100Base-T network port for NTP synchronisation



Model	Case Size L x H x D
4010N.170.R.S	990 x 260 x 66



4010N.170.x.S External Dimensions

JOB NO.:	TITLE	
DATE:	<p>7-Segment Type Digital LED Clock 4010N.170.x.S Maintenance-free, long life in aluminium surface mounting case</p>	
DWN:	CUSTOMER:	