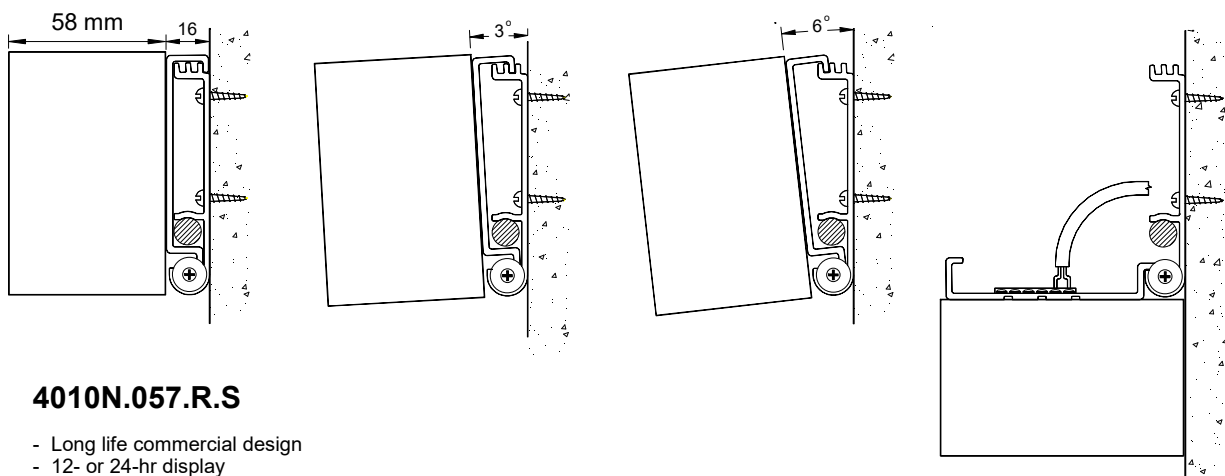




4010N.057.R.S External Dimensions

.S. Surface Mounted Case



4010N.057.R.S

- Long life commercial design
- 12- or 24-hr display
- Red seven-segment LEDs
- 57mm Figures = 25m legibility
- Automatic daylight saving changes, in any time zone
- Automatic or manual dimming in 7 steps
- Alternating time & date capability (user programmable)
- RJ-45 Network port for synchronisation to NTP/SNTP time server
- Built in Quartz Crystal with accuracy of 0.1 sec/day at 21deg. C
- 110-250V AC 50/60Hz Power Supply with internal backup battery
- Black finish

Includes

- Infra-red remote control
- Wall mounting brackets
- Cat5 cable
- User Guide

Order Number	LED Colour	Case Size L x H x D	Case Finish
4010N.057.R.S	Red	390 x 90 x 58	Black anodised

Synchronisation

The 4010N can be synchronised from the following external signals:

- NTP/SNTP from a remote timeserver located on the customer's TCP/IP Ethernet network.

Network Port

- Fitted with a 10/100Base-T Ethernet port (RJ-45) allowing:
 - synchronisation from a remote NTP/SNTP time server on a TCP/IP network;
 - the clock can also run into standalone mode if not connected to the network

Power Supply

- Universal 110-250V AC 50/60Hz power supply

JOB NO.:		TITLE:	<p>4010N.057.R.S 7-Segment Type Digital LED Clock Maintenance-free, long life in aluminium surface mounting case</p>	<p>A.B.N. 69 086 651 014 P.O. Box 115 - 18 Rose Street ANNANDALE NSW 2038 Ph: +61 2 8205 0575 Fax: +61 2 9571 9754 Email: sales@hertzelectronics.com.au Web: www.hertzelectronics.com.au</p>
DATE:	27/10/15			
DWN:	JB	CUSTOMER:		