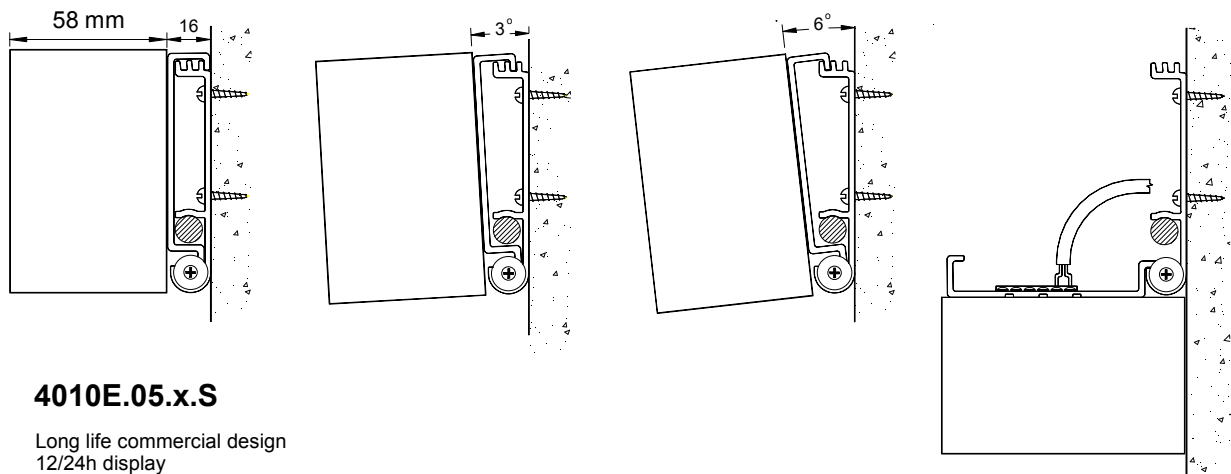


4010E.05.x.S External Dimensions

.S. Surface Mounted Case



4010E.05.x.S

- Long life commercial design
- 12/24h display
- Red, green, yellow or blue bright LEDs
- 50mm Figures = 25m legibility
- Automatic daylight saving changes
- Automatic or manual dimming in 7 steps
- Battery back-up
- Alternating time & date capability (user programmable)
- Temperature display (requires optional 406 temperature probe)
- Count-up/Count-down Stopwatch function
(with included infra-red remote control)
- Stand alone or synchronised from master controller
- Network option for synchronisation from network
- Local synchronisation of up to 10 other 4200E/4010E clocks using a simple cable pair
- Built in Quartz Crystal with accuracy of 0.1 sec/day at 21deg. C
- 240VAC 50 Hz mains supply with battery back-up standard
- Optional 24/48VDC power supply at extra cost

Optional Modules

- Optional low-cost internal wBus2 interface cards:
- EBU/SMPTE synchronisation
 - IRIG-B/Afnof NF S 87-500 synchronisation
 - RS232, RS485
 - 24V/48V Single/Alternate polarity impulse

Synchronisation

The 4010E can be synchronised from the following external signals:


- w482 Time Code
- DCF Time Code
- GPS Time Code

Network Option

- Network Synchronisation
- Fitted with a 10/100Base-T Ethernet port allowing synchronisation from a remote NTP/SNTP time server on a TCP/IP network
 - Optional PoE power supply

(Order Number 4010N.05.x.S)

Order Number	LED Colour	Case Size L x H x D	Case Finishes
4010E.05.R.S	Red	305 x 90 x 58	standard: black anodised
4010E.05.G.S	Green		optional: silver anodised
4010E.05.Y.S	Yellow		powder coated to RAL 9010
4010E.05.B.S	Blue		

JOB NO.:		TITLE	4010E.05.x.S Digital LED Clock with aluminium surface mounting case	 <small>A.B.N. 69 086 651 014</small> P.O. Box 115 - 18 Rose Street ANNANDALE NSW 2038 Ph: +61 2 8205 0575 Fax: +61 2 9571 9754 Email: sales@hertzelectronics.com.au Web: www.hertzelectronics.com.au
DATE:		CUSTOMER:		
DWN:				